

D

C

B

A



PRODUCT:
TRM800-18

DRWN BY	08/22/18	SAH	SIZE
CS	08/22/18	SM	A

PAGE	1 OF 7
------	--------

DWG. NO.	303155-102
----------	------------

PRECOR

SUBREV	A01
--------	-----

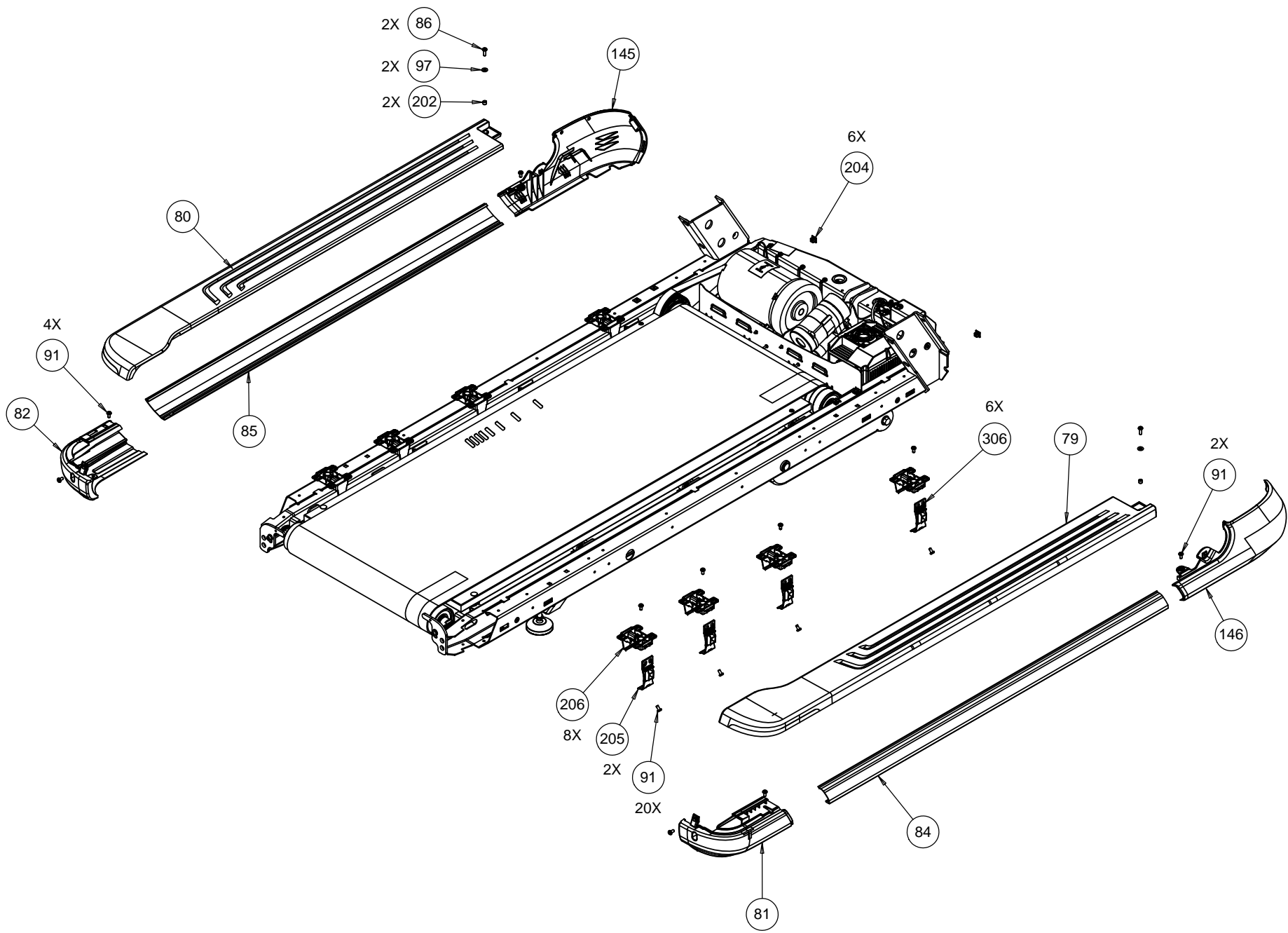
DRAWING TEMPLATE REV: D

D

C

B

A



2X (86)
 2X (97)
 2X (202)

(145)

6X
 (204)

(80)

4X
 (91)

(85)

(82)

6X
 (306)

(79)

2X
 (91)

(146)

(206)
 8X

(205)
 2X

(91)
 20X

(84)

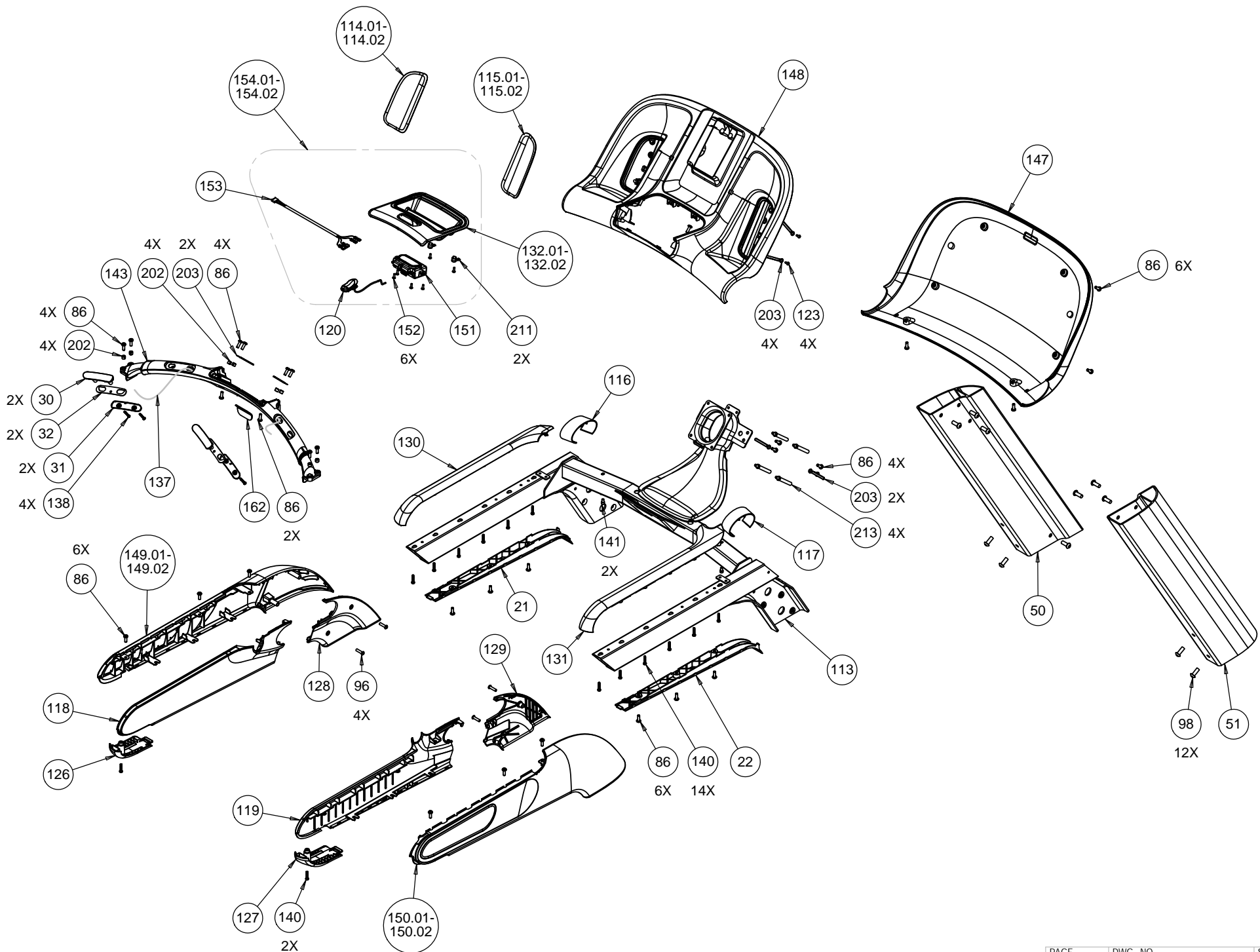
(81)

D

C

B

A

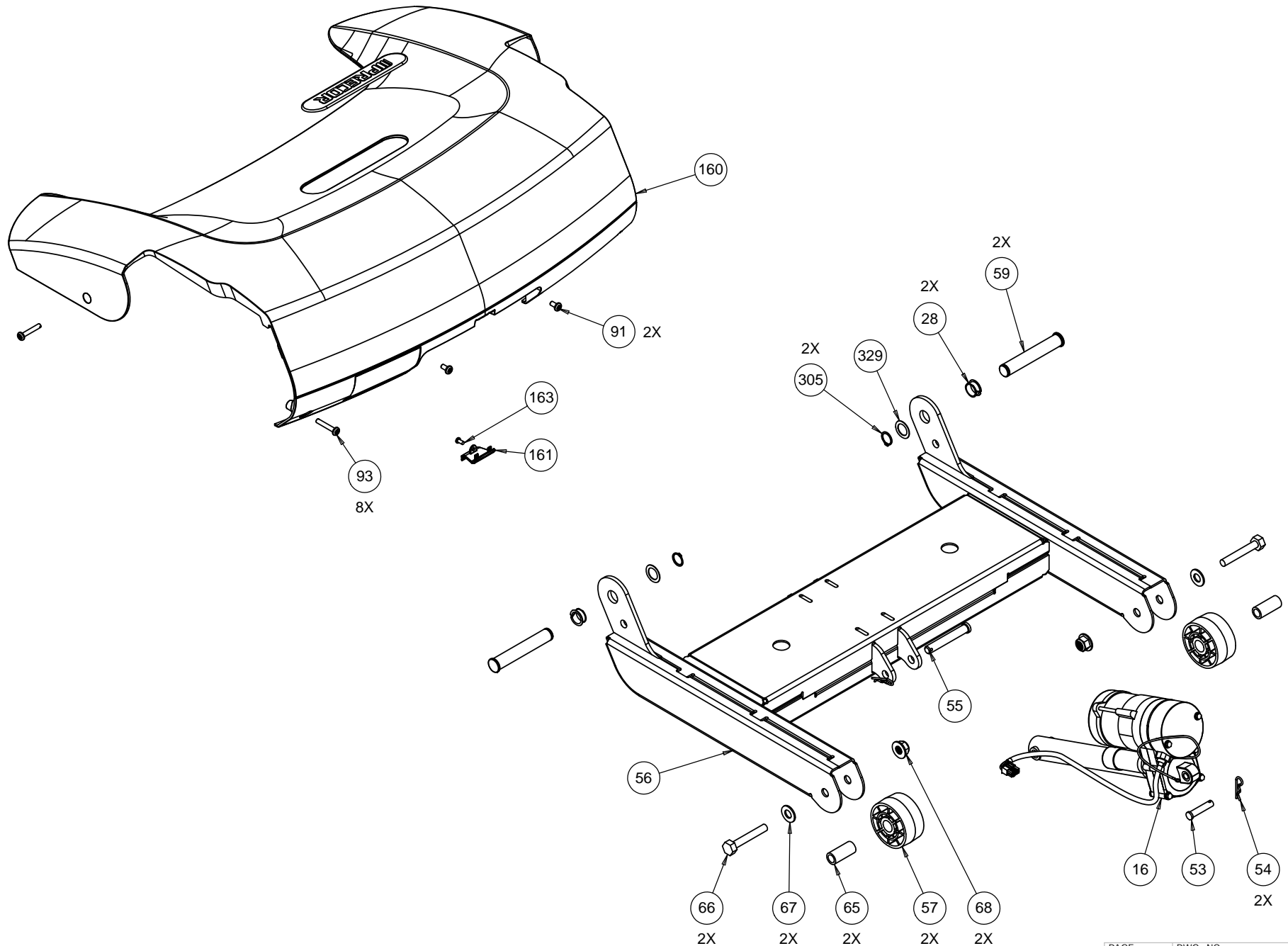


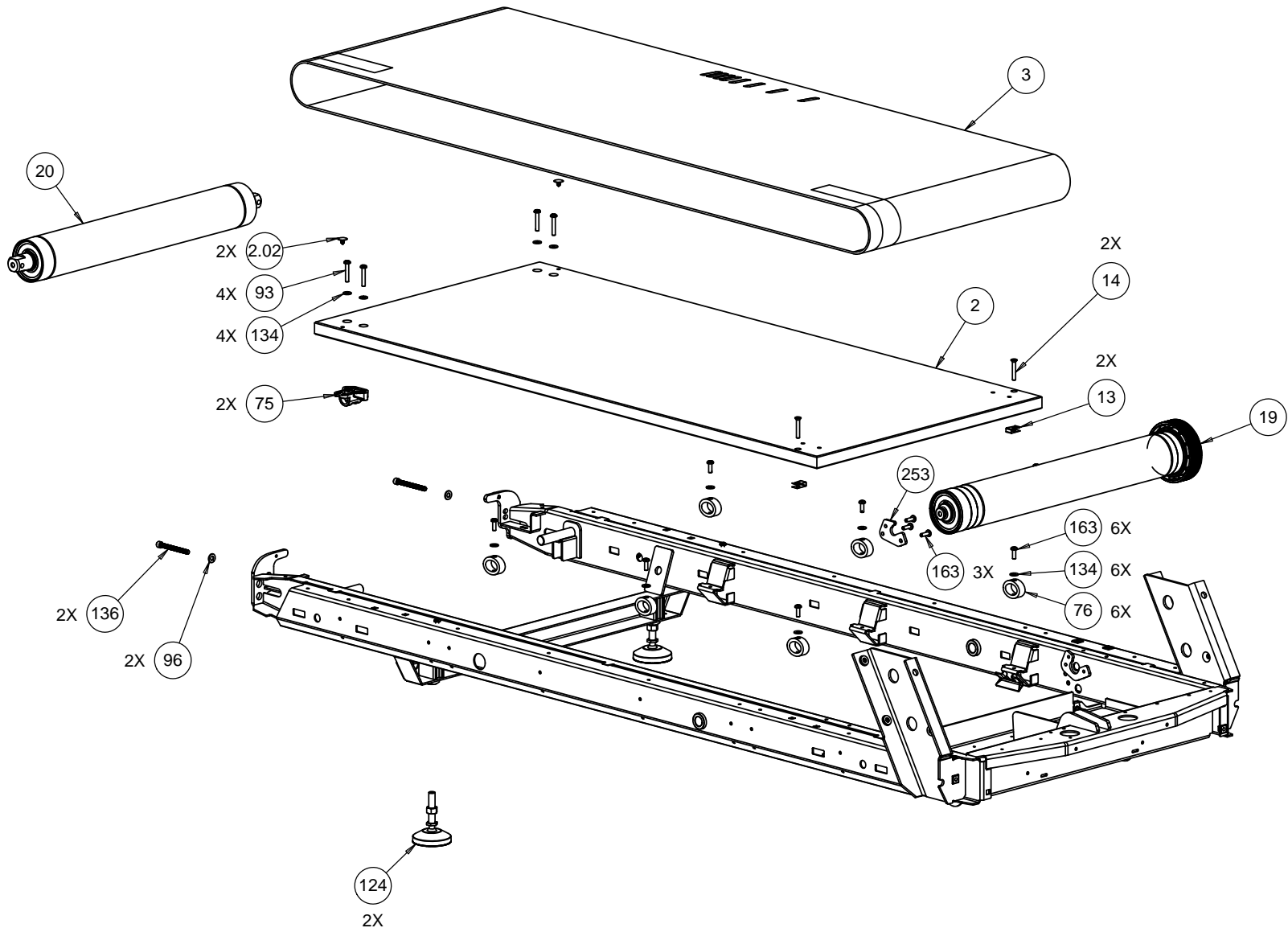
4

3

2

1



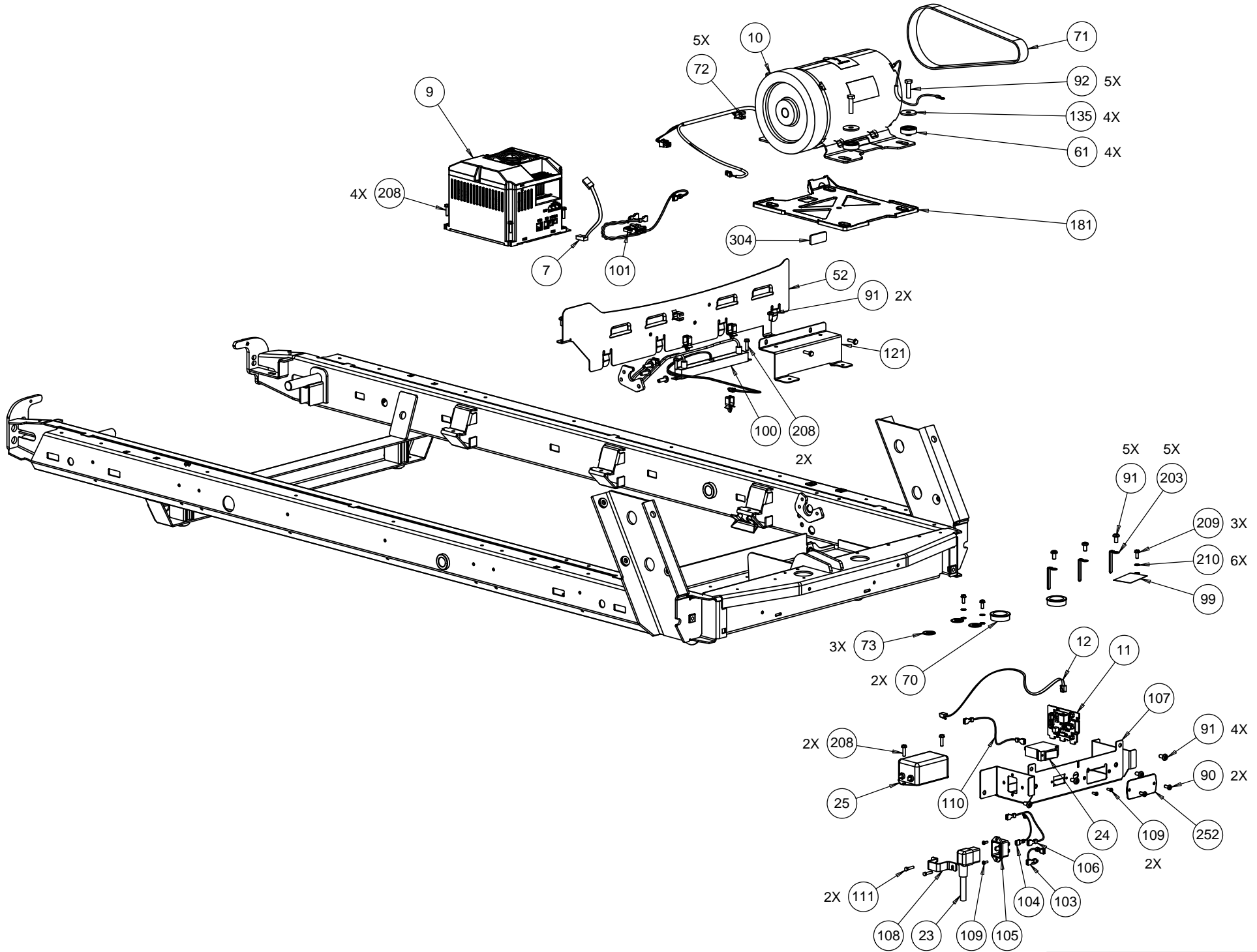


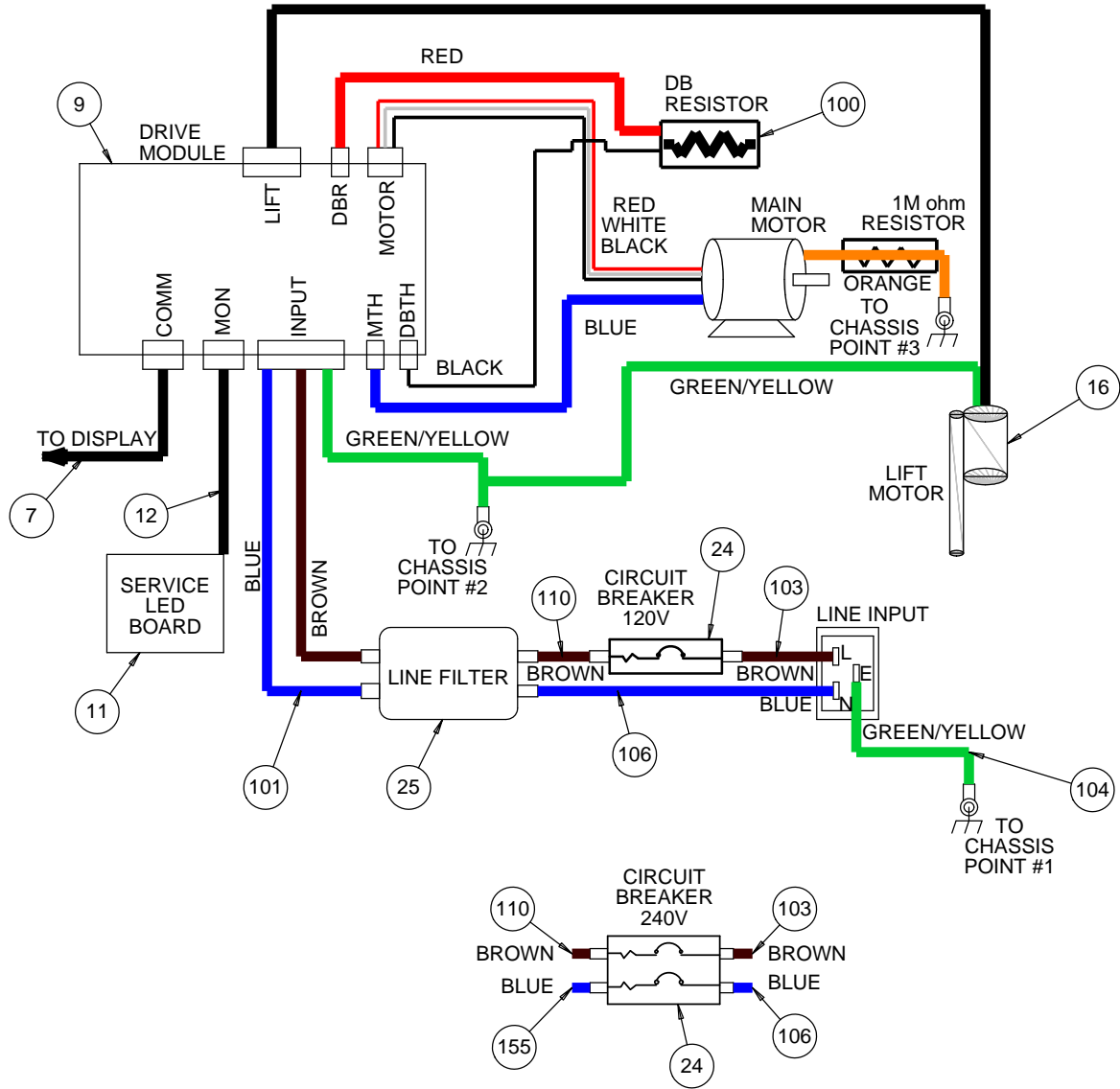
D

C

B

A





Bubble#	OEM Number	Description
2	PPP00000058097105	DECK W/SHIPPER,TRM800-18 (WITH WAX)
2.02	PPP000000013254101	PINE TREE CLIP: REMOVABLE, REUSABLE
3	PPP000000303765105	RUNNING BELT, AMMERAAL, ROPANYL LAS
7	PPP000000044905108	ASSY,CBL,MOD,8P8C,1-1,SILVER,108 in.
9	PPP000000303786105	ASSY,ADT-DRIVE,COMMERCIAL 230V
10	PPP000000058099101	KIT, BOXED, MOTOR DRIVE,COMMERCIAL
11	PPP000000302497101	ASSY, SERVICE LED BOARD
12	PPP000000041605018	ASSY,CBL,MOD,6P4C,1-1,SILVER,18 in.
13	PPP000000013277101	CLIP, U TYPE, SPRING STEEL, KEYHOL
14	PPP0000MACTN025163	SCREW, FLAT HD SOCKET CAP, 1/4-20 X
15	PPP000000302495101	ROLLER KEEPER, LH
16	PPP000000302625106	MOTOR, LIFT ACTUATOR, 230V, 282S PO
19	PPP000000304630103	ASSEMBLY, ROLLER, DRIVE, COMMERCIAL
20	PPP000000304650101	ASSEMBLY, ROLLER, TAKE UP, BOLT TEN
21	PPP000000302517101	COVER,BOTTOM,LH,SILVER GRAY
21	PPP000000302517103	COVER,BOTTOM,LH,TUNGSTEN
22	PPP000000302517102	COVER,BOTTOM,RH,SILVER GRAY
22	PPP000000302517104	COVER,BOTTOM,RH,TUNGSTEN
23	PPP000000046988144	PWR CORD,250VAC,16A,CEE 7/7RA - IEC
24	PPP000000011462243	SCKT BRKR,250V,MAGNETIC,ROCKER,2 PO
25	PPP000000011350101	FILTER, POWER LINE, #10 PANEL MOUNT
28	PPP000000013223102	BUSHING, SNAP-IN, IGLIDE F, .75 ID,
30	PPP000000303502101	ASSEMBLY, UPPER HHR CONTACT WITH C
31	PPP000000302414101	CONTACT, HHR LOWER, STAINLESS
32	PPP000000302418101	GASKET, HHR CONTACT
50	PPP000000303787103	TARGA EXTRUSION, LEFT, BLACK PEARL
51	PPP000000303787104	TARGA EXTRUSION, RIGHT, BLACK PEARL
52	PPP000000302508103	DUST GUARD
53	PPP000000010401106	PIN,CLEVIS, 3/8 X 1.75, ZINC
54	PPP000000010400103	PIN, HITCH, .093 DIA, ZINC, #203
55	PPP000000045669107	PIN, LIFT PIVOT, 3.34, MUSHROOM HEA

56	PPP000000302468101	WELDMENT, LIFT PLATFORM, PAINTED
57	PPP000000044270101	WHEEL, LIFT
59	PPP000000302485103	PIN, LIFT PIVOT
60	PPP000000010400106	PIN, HITCH, .125 DIA, ZINC, #216
62	PPP000000302617102	WASHER, BOTTOM, MOTOR
63	PPP000000302516101	PLASTIC, FOOT COVER
65	PPP000000036192101	BUSHING, SPANNER
66	PPP00000HCTN050275	SCREW,HEX,GR 5,1/2-13X2-3/4,BLK SHR
67	PPP00000WBZN050008	WASHER, FLAT,1/2,.086 BLK CVS
68	PPP0000KBTKN050055	NUT, HEX FLANGE, NYLON INSERT, 1/2,
70	PPP000000010178112	BUSHING, SNAP
71	PPP000000010214103	BELT, DRIVE, 740J10 POLY V, TEM, TR
72	PPP000000011278101	CABLE CLAMP,INSERT
73	PPP000000033984101	LABEL, SAFETY, GROUND SYMBOL
75	PPP000000304595101	PIVOT, REAR DECK
76	PPP000000302482101	CUSHION, GFX
77	PPP000000302475101	SPACER, LIFT PLATFORM
79	PPP000000304590102	ASSY,TRIM LANDINGS,RIGHT,LED BLUE
80	PPP000000304590101	ASSY,TRIM LANDINGS,LEFT,LED BLUE
81	PPP000000304593104	END CAP, TUNGSTEN GRAY, RIGHT
82	PPP000000304593103	END CAP, TUNGSTEN GRAY, LEFT
84	PPP000000304036108	EXTRUSION, SIDE TRIM, RH, BLACK PEA
85	PPP000000304036107	EXTRUSION, SIDE TRIM, LH, BLACK PEA
86	PPP00000PANCN025075	SCREW,SELF-TAP,TRI,PAN HD PHIL,1/4-
88	PPP000000302481105	PLATE, REAR ROLLER MOUNT LH
89	PPP000000302481106	PLATE, REAR ROLLER MOUNT RH
90	PPP00000PANTN019075	SCREW,S/T,#10-24X3/4,PANHD,PHIL,TRI
91	PPP00000PANTN025075	SCREW, SELF TAPPING, 1/4-20 X 0.75,
93	PPP00000PANTN025150	SCREW, SELF TAPPING, 1/4-20 X 1.50,
95	PPP00000WAVCN038015	WASHER,FLAT,TYPA,3/8,STL,CLR ZN
96	PPP00000TFTN025100	BHCS,1/4-20 X 1.00,FULLTHREAD,STL,B

97	PPP0000WAWGN038004	WASHER,INTERNAL TOOTH LOCK,3/8,STAI
98	PPP00000THTE038056	SCREW,BHCS,3/8-16 X 9/16,STL,BLACK
99	PPP000000302542101	LABEL, WARNING, BLEED DOWN CABLE AT
100	PPP000000303056101	ASSY,DB RESISTOR W/THERMAL SWITCH,8
101	PPP000000303042010	CABLE, FILTER TO DRIVE MODULE,10 in.
102	PPP000000037436101	LABEL, CHASIS NEUTRAL
103	PPP000000040193005	ASSY,CBL,1C,12AWG,250X032 QD RECP(X
104	PPP000000040195008	CBL,1C,14AWG,,#10 RING,250X032 QD R
105	PPP000000045381101	IEC 16/20A POWER CORD INLET
106	PPP000000302226009	ASSY,CBL,1C,12AWG,250X032 QD RECP(X
107	PPP000000302466101	BRACKET, POWER ENTRY
108	PPP000000302479102	BRACKET, POWER ENTRY CABLE CLAMP
109	PPP00000MGCN013038	SCREW,MCH,6-32X3/8,PANHD,PHIL,
110	PPP000000040193009	ASSY,CBL,1C,12AWG,250X032 QD RECP(X
111	PPP00000HNCN016075	HHCS,MCH,#8-32 X .75,STL,CLR ZN
113	PPP000000302430101	WELDMENT, DASH STRUCTURE, POWDER CO
114.01	PPP000000302439101	BUCKET, DASH, BASIC TRIM OPTION, LH
114.02	PPP000000302441103	BUCKET,PREMIUM OPTION,LH,BLACK
115.01	PPP000000302439102	BUCKET, DASH, BASIC TRIM OPTION, RH
115.02	PPP000000302441104	BUCKET,PREMIUM OPTION,RH,BLACK
116	PPP000000303789101	COVER, ELLIPTICAL DASH TO HANDRAIL
117	PPP000000303789102	COVER, ELLIPTICAL DASH TO HANDRAIL
118	PPP000000302509101	COVER,SIDEBAR,LH,SILVER GRAY
118	PPP000000302509103	COVER,SIDEBAR,LH,TUNGSTEN
119	PPP000000302509102	COVER,SIDEBAR,RH,SILVER GRAY
119	PPP000000302509104	COVER,SIDEBAR,RH,TUNGSTEN
120	PPP000000044021104	CLIP ASSEMBLY
121	PPP000000302622102	SHIELD COVER, BRAKE RESISTOR
123	PPP0000PARTN016050	SCREW,SELF-TAP,TRI,PAN HD PHIL,#8 X
124	PPP000000304623101	FOOT, REAR LEVELING
126	PPP000000302511101	LED BLUE ACCENT, HANDRAIL, LEFT

127	PPP000000302511102	LED BLUE ACCENT, HANDRAIL, RIGHT
128	PPP000000302510103	PANEL,SIDEBAR,LH,TUNGSTEN
129	PPP000000302510104	PANEL,SIDEBAR,RH,TUNGSTEN
130	PPP000000303223107	TOP HANDCOVER, ASSY, LH, BLACK
131	PPP000000303223108	TOP HANDCOVER, ASSY, RH, BLACK
132.01	PPP000000302489101	TRAY, DASH, PLASTIC
132.02	PPP000000058106101	KIT, TRAY, DASH, PREMIUM, OVERMOLDE
133	PPP00000YCTN031200	SCREW, LOW PROFILE SHCS, ALLOY STEE
134	PPP00000WBCN025006	WASHER,FLT,1/4X..500X.063,ZN (MECH
135	PPP0000WABCN031011	WASHER,FENDER,EXTRA THICK,HARDENED
136	PPP00000CFCA031300	SHCS,5/16-18 X 3.00,STL FT,CLEAR ZN
137	PPP000000303187052	ASSY, CABLE, CHR PCA TO GRIP, JACKE
138	PPP000000013451125	SCREW,SELF-TAP,TRI,TORX,#8 X 1.25,P
139	PPP000000013246101	NUT, BARREL
140	PPP000000013560107	#10-14 X 1, 6 LOBE PAN PLAST ALT 48
141	PPP00000CATN025038	SCREW,SKHD,1/4-20X3/8,BLK SHRPRZD
142	PPP000000303056101	ASSY,DB RESISTOR W/THERMAL SWITCH,8
143	PPP000000302409103	HHHR BAR,MOLDED,TUNGSTEN
144	PPP000000045669107	PIN, LIFT PIVOT, 3.34, MUSHROOM HEA
145	PPP000000302506105	ASSY,CORNER COVER,LH,TUNGSTEN
146	PPP000000302506106	ASSY,CORNER COVER,RH,TUNGSTEN
147	PPP000000302411102	COVER,DASH BACK,TUNGSTEN
148	PPP000000302410102	COVER,DASH FRONT,TUNGSTEN
149.01	PPP000000302512101	COVER,SIDEBAR,BASIC,LH,SILVER GRAY
149.02	PPP000000302512107	COVER,SIDEBAR,PREM.,LH,SILVER GRAY/
150.01	PPP000000302512102	COVER,SIDEBAR,BASIC,RH,SILVER GRAY
150.02	PPP000000302512108	COVER,SIDEBAR,PREM.,RH,SILVER GRAY/
151	PPP000000302525101	ASSY, EMERGENCY STOP SWITCH
152	PPP00000MGCN016050	SCREW,MCH,8-32X1/2,PANHD,PHIL,
153	PPP000000303049030	ASSY,CABLE W/JACKET,E-STOP PLUS SOF
154.01	PPP000000302492101	ASSEMBLY, TRAY AND STOP SWITCH, BAS

154.02	PPP000000302491102	TRAY,STOP SWITCH,PREM,BLACK
155	PPP000000302226005	ASSY,CBL,1C,12AWG,250X032 QD RECP(X
158	PPP000000302487101	EXTRUSION, REAR ROLLER ADJUSTMENT (
159	PPP000000302493101	SPACER, REAR ROLLER ADJUSTMENT
160	PPP000000302498104	ASSEMBLY,HOOD,TUNGSTEN, WITHOUT LAB
161	PPP000000303157101	INDICATOR, STATUS, LIGHT PIPE
162	PPP000000302446101	DOCK, STOP SWITCH LANYARD CLIP
163	PPP0000PARCN019038	SCREW,SELF-TAP,TRI,PAN HD PHIL,#10
181	PPP000000302614102	ISOLATOR, PLASTIC MOTOR
200	PPP000000303304108	HARDWARE KIT, TRM800, DARK
202	PPP000000013216101	HARDWARE, COMPRESSION LIMITER 6MM X
203	PPP000000013217101	WIRE CLAMP, .25 INCH FASTENER, META
204	PPP000000013222101	SQUARE PLASTI-GROMMET, 1/4 IN FSTNR
205	PPP000000303316101	ANCHOR, SIDE TRIM, INDEXING
206	PPP000000302520101	TRIM LANDING, ANCHOR, MOUNTING BLOC
207	PPP0000KBPCN038034	NUT,HEX,3/8-24,STL, GRADE 8, CLEAR
208	PPP0000PBDCA019075	SCREW,SELF-TAP,TRI,WASHER HD HEX,10
209	PPP0000PBJCG019050	SCREW,SELF-TAP,TYPF,WASHER HD HEX/S
210	PPP0000WAMCN019002	WASHER, LOCK, EXT TOOTH, #10
211	PPP000000302488101	CLIP, TRAY MOUNTING
213	PPP00000CAMN025050	SCREW,SKHD,1/4-20X0.50,ZN (MECH PLA
251	PPP000000300678101	LABEL, HOOD ALUMINUM, NEW LOGO
252	PPP000000303538101	BLANKING PLATE, INTERFACE
253	PPP000000304592101	PLATE, MOUNT, DRIVE ROLLER
300	PPP000000058114101	KIT, TRM 800 MOTOR THERMAL SWITCH C
301	PPP000000051117103	CS KIT - TRM800 BELT TRACKER
305	PPP00000AAHN075004	RETAINING RING,EXTERNAL,3/4,ROTOR C
306	PPP000000302440101	ANCHOR, SIDE TRIM
310	PPP000000010135101	NUT, THREADED, TINNEMAN, 5/16-18
329	PPP00000WNNN075003	WASHER,FLAT,.75 X 1.125 X .031,STL
999	PPP000000304170900	TRM 800 LITERATURE KIT